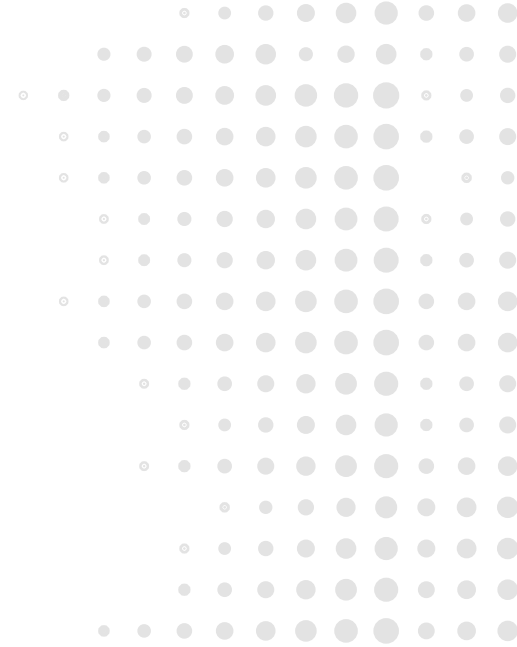


# MAMMORX<sup>®</sup>

## PATIENT POSITIONING SYSTEMS



For patients receiving multiple radiation therapy treatments, position reproducibility is critical. MammoRx patient positioning products help you to quickly setup patients during simulation and to easily reproduce settings during subsequent treatments.

**Accurately establish  
and reproduce patient  
positions in breast  
radiation therapy.**

# MAMMORX® BREAST BOARD

The MammoRx Carbon Fiber Breast Board provides a solution that meets and exceeds the changing needs of radiation therapists.

The system delivers precise immobilization for IMRT, enhanced setup reproducibility and is compatible with Orfit thermoplastic masks.

## FEATURES AND BENEFITS

Provide easy and effective reproduction of patient setup.

Enhance patient comfort through next-generation design improvements.

Thin, strong and light system.

Feature low attenuation levels.



# MAMMORX® BREAST BOARD

## MAMMORX CARBON FIBER BREAST BOARD

The MammoRx Carbon Fiber Breast Board is specifically designed for narrow-bore CT SIM environments. As one of the most lightweight boards on the market, the MammoRx Breast Board is easy to lift and replace on the treatment table - a key benefit when you consider how often therapists remove patient positioning boards each day.

Built-in supports allow you to quickly achieve standard treatment angles of 0, 5, 7.5, 10, 12.5, 15, 17.5, 20 and 22.5 degrees.

### FEATURES AND BENEFITS

Fits through most small-bore CT units.

No metal components in CT scan areas.

Enables single-side and bilateral patient immobilization.

Single-handed trigger action enables quick and easy movement of the upper-arm support between four standard settings, providing faster setup times for patients.

The hand support can be indexed in ten indexing holes. It allows a more comfortable and stable positioning.

A plunger locks the angle support ladder in place. This prevents dislocking of the angle support and eliminates the risk of tilt-board collapse.

Can be combined with Orfit thermoplastic masks for increased precision.



Art. N° CFB-001/EU  
MammoRx carbon fiber breast board



Art. N° CFB-001/MR  
MammoRx breast board  
MR compatible

# MAMMORX® ANTIBACTERIAL MASKS

## BREAST HIGH PRECISION PRECUTS



Art. N° 35790/2MA  
2-points breast mask  
rectangular design



Art. N° 35727/32MA  
2-points breast mask  
medium size



Art. N° 35728/32MA  
2-points breast mask  
large size



# MAMMORX® ACCESSORIES



The Adjustable Arm Support allows positioning of the arms of the patient extended above the head. For maximal patient comfort the arm support can be adjusted in height. The cup swivels to obtain a comfortable position for each patient. The support is constructed from MRI compatible materials.

Art. N° 33170  
Adjustable arm support



The fixed grip pole is designed to be combined with the Adjustable Arm Support. When adjusting the height of the arm support, the hands of the patient can easily slide over the grip pole to find the most comfortable position for the patient.

Art. N° 33176  
Fixed grip pole for MammoRx



Used with the MammoRx Breast Board, the bottom stop eliminates patient slippage during treatment. The bottom stop is attached to a 2-pin indexing bar on the treatment couch. There are eight different positions for the 2-pin bar.

Art. N° CBS-2  
MammoRx bottom stop



The adjustable hand support allows adjusting the position of the patient's wrists and hands in a vertical direction. The cup swivels to obtain a comfortable position for each patient. This product is an alternative to the fixed grip pole.

Art. N° 33178  
Adjustable hand support

## MAMMORX® ACCESSORIES

Constructed from resilient ABS material, the BASS Board provides strength and integrity in a lightweight package. Ideal for supporting the patient's arms during treatment and diagnostic procedures of the breast, thorax and upper abdomen. The BASS Board also provides indexing capabilities for our standard head support options.



Art. N° CBA-1  
Bilateral arm support system (BASS Board)

The knobs allow the attachment of a head base plate to the MammoRx Breast Board. The knobs have to be combined with an adapter plate 32063 that is attached to a small head base plate 32130.



Art. N° 39320  
High precision brain, head and neck interface for MammoRx breast board



# MAMMORX® ACCESSORIES

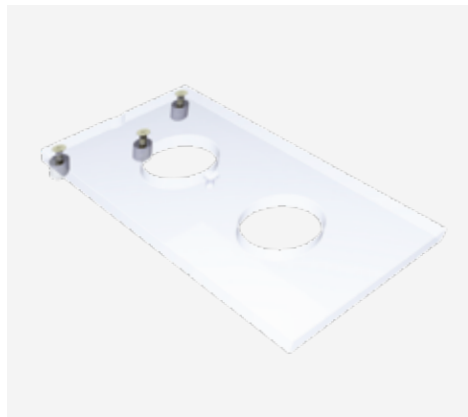
A blue gel ring head support can be attached directly to the MammoRx.



Art. N° CHB-1

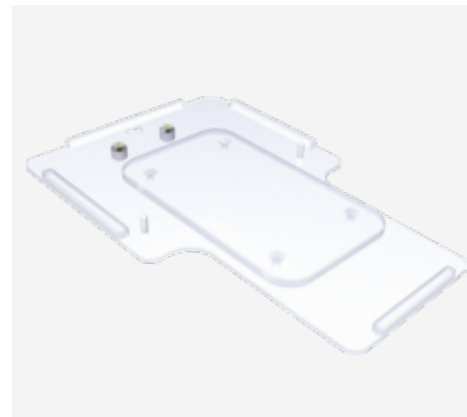
Blue gel ring head holder

Interfaces are available for the Orfit High Precision Head Supports and Silverman Head Supports.



Art. N° CHO-1

Orfit head support interface



Art. N° CHS-1

Silverman head support interface



# MAMMORX® SOLUTION BUNDELS

The MammoRx breast board is available in different solution bundles or product packages. There is a set of solution bundles available per breast board category:

- CFB-001/EU: MammoRx breast board with a grid to indicate the low density treatment field
- CFB-001/EU/NG: MammoRx breast board without a grid for a more homogeneous treatment field
- CFB-001/MR: MammoRx breast board for an MR environment





# MAMMORX® SOLUTION BUNDELS

## MAMMORX CARBON FIBER BREAST BOARD

Standard Configuration	Art. N°	Description	
Breast board	CFB-001/EU	MammoRx carbon fiber breast board	1 pc.



## CFB-003/EU - BILATERAL ARM CONFIGURATION

Breast board	CFB-001/EU	MammoRx carbon fiber breast board	1 pc.
Head support	CHB-1	Blue gel ring head holder	1 pc.
Arm support	33170	Adjustable arm support	2 pcs.
Grip pole	33176	Fixed grip pole	2 pcs.
Bottom stop	CBS-2	MammoRx bottom stop	1 pc.



**CFB-004/EU - BILATERAL ARM SUPPORT CONFIGURATION**

Breast board	CFB-001/EU	MammoRx carbon fiber breast board	1 pc.
Head support	CHB-1	Blue gel ring head holder	1 pc.
Arm support	CBA-1	Bilateral arm support board	1 pc.
Grip pole	33176	Fixed grip pole	2 pcs.
Bottom stop	CBS-2	MammoRx bottom stop	1 pc.

**CFB-005/EU - COMBINATION**

Breast board	CFB-001/EU	MammoRx carbon fiber breast board	1 pc.
Head support	CHB-1	Blue gel ring head holder	1 pc.
Arm support	33170	Adjustable arm support	2 pcs.
Arm support	CBA-1	Bilateral arm support board	1 pc.
Grip pole	33176	Fixed grip pole	2 pcs.
Bottom stop	CBS-2	MammoRx bottom stop	1 pc.

**CFB-006/EU - COMBINATION**

Breast board	CFB-001/EU	MammoRx carbon fiber breast board	1 pc.
Head support	CHB-1	Blue gel ring head holder	1 pc.
Arm support	33170	Adjustable arm support	2 pcs.
Arm support	CBA-1	Bilateral arm support board	1 pc.
Hand support	33178	Adjustable hand support	2 pcs.
Bottom stop	CBS-2	MammoRx bottom stop	1 pc.



# MAMMORX® SOLUTION BUNDELS

## MAMMORX CARBON FIBER BREAST BOARD

Standard Configuration	Art. N°	Description	
Breast board	CFB-001/EU/NG	MammoRx carbon fiber breast board	1 pc.



## CFB-003/EU/NG - BILATERAL ARM CONFIGURATION

Breast board	CFB-001/EU/NG	MammoRx carbon fiber breast board	1 pc.
Head support	CHB-1	Blue gel ring head holder	1 pc.
Arm support	33170	Adjustable arm support	2 pcs.
Grip pole	33176	Fixed grip pole	2 pcs.
Bottom stop	CBS-2	MammoRx bottom stop	1 pc.



**CFB-004/EU/NG - BILATERAL ARM SUPPORT CONFIGURATION**

Breast board	CFB-001/EU/NG	MammoRx carbon fiber breast board	1 pc.
Head support	CHB-1	Blue gel ring head holder	1 pc.
Arm support	CBA-1	Bilateral arm support board	1 pc.
Grip pole	33176	Fixed grip pole	2 pcs.
Bottom stop	CBS-2	MammoRx bottom stop	1 pc.

**CFB-005/EU/NG - COMBINATION**

Breast board	CFB-001/EU/NG	MammoRx carbon fiber breast board	1 pc.
Head support	CHB-1	Blue gel ring head holder	1 pc.
Arm support	33170	Adjustable arm support	2 pcs.
Arm support	CBA-1	Bilateral arm support board	1 pc.
Grip pole	33176	Fixed grip pole	2 pcs.
Bottom stop	CBS-2	MammoRx bottom stop	1 pc.

**CFB-006/EU/NG - COMBINATION**

Breast board	CFB-001/EU/NG	MammoRx carbon fiber breast board	1 pc.
Head support	CHB-1	Blue gel ring head holder	1 pc.
Arm support	33170	Adjustable arm support	2 pcs.
Arm support	CBA-1	Bilateral arm support board	1 pc.
Hand support	33178	Adjustable hand support	2 pcs.
Bottom stop	CBS-2	MammoRx bottom stop	1 pc.

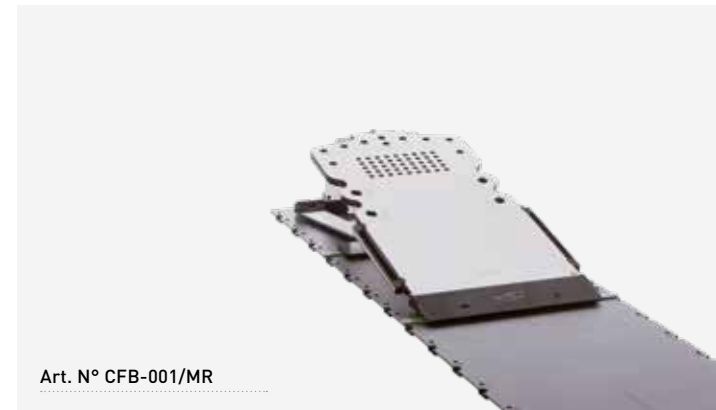


# MAMMORX® SOLUTION BUNDELS



## MAMMORX BREAST BOARD

Standard Configuration	Art. N°	Description	
Breast board	CFB-001/MR	MammoRx breast board	1 pc.



## CFB-003/MR - BILATERAL ARM CONFIGURATION

Breast board	CFB-001/MR	MammoRx breast board	1 pc.
Head support	CHB-1	Blue gel ring head holder	1 pc.
Arm support	33170	Adjustable arm support	2 pcs.
Grip pole	33176	Fixed grip pole	2 pcs.
Bottom stop	CBS-2	MammoRx bottom stop	1 pc.



**CFB-004/MR - BILATERAL ARM SUPPORT CONFIGURATION**

Breast board	CFB-001/MR	MammoRx breast board	1 pc.
Head support	CHB-1	Blue gel ring head holder	1 pc.
Arm support	CBA-1	Bilateral arm support board	1 pc.
Grip pole	33176	Fixed grip pole	2 pcs.
Bottom stop	CBS-2	MammoRx bottom stop	1 pc.

**CFB-005/MR - COMBINATION**

Breast board	CFB-001/MR	MammoRx breast board	1 pc.
Head support	CHB-1	Blue gel ring head holder	1 pc.
Arm support	33170	Adjustable arm support	2 pcs.
Arm support	CBA-1	Bilateral arm support board	1 pc.
Grip pole	33176	Fixed grip pole	2 pcs.
Bottom stop	CBS-2	MammoRx bottom stop	1 pc.

**CFB-006/MR - COMBINATION**

Breast board	CFB-001/MR	MammoRx carbon fiber breast board	1 pc.
Head support	CHB-1	Blue gel ring head holder	1 pc.
Arm support	33170	Adjustable arm support	2 pcs.
Arm support	CBA-1	Bilateral arm support board	1 pc.
Hand support	33178	Adjustable hand support	2 pcs.
Bottom stop	CBS-2	MammoRx bottom stop	1 pc.

